

**NOTES:**

1. BASE MACHINE SHOWN FOR REFERENCE ONLY.
2. SHOWN WITH KOCUREK 2.0m<sup>3</sup> GRAB ASSY.
3. WORKING ENVELOPE SUBJECT TO FINAL DESIGN AND CALCULATION
4. DRAWING NOT BINDING IN DETAIL.

1	21/05/18	-	STL
ISS	DATE	MOD	DRN.
<b>NOT BINDING IN DETAIL</b>			

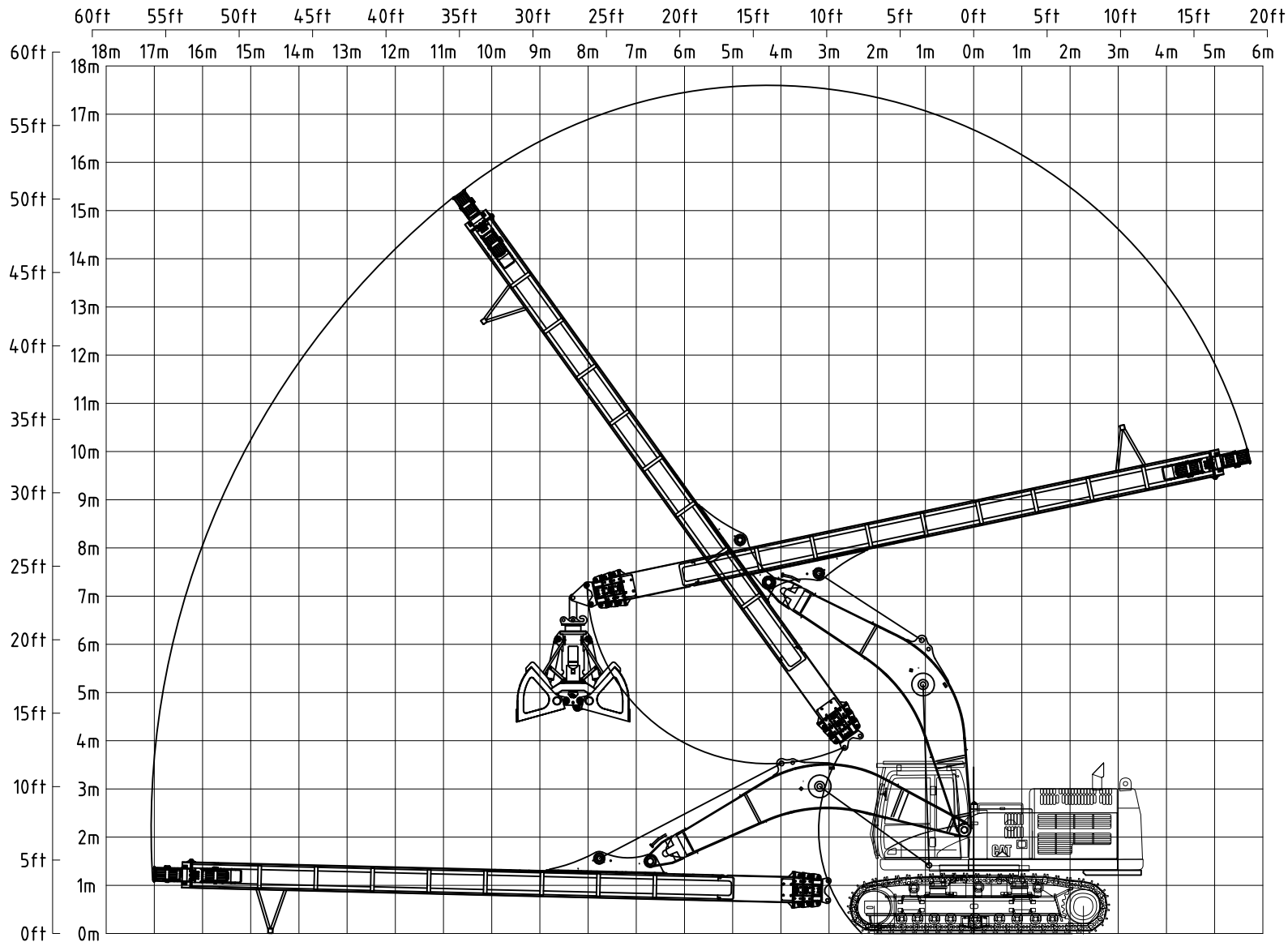
**KOCUREK**

24 Arkwright Road  
Hadleigh Road Industrial Estate  
Ipswich IP2 0UB ENGLAND  
Tel. +44 (0)1473 217477

**CONFIDENTIAL**

This drawing embodies confidential information, the property of KOCUREK EXCAVATORS Ltd., to whom the copyright belongs. This drawing may not be copied or used for any purpose other than that for which it was made available except with the prior written consent of KOCUREK EXCAVATORS Ltd., & provision of this drawing does not grant any rights under any industrial property rights of KOCUREK EXCAVATORS Ltd., nor of any third party.

TITLE DATASHEET - RANGE 37m TELEDIPPER CAT 349EL	
DRG. NO. 99000941	SHT 1 OF 3



**NOTES:**

1. BASE MACHINE SHOWN FOR REFERENCE ONLY.
2. SHOWN WITH KOCUREK 2.0m<sup>3</sup> GRAB ASSY.
3. WORKING ENVELOPE SUBJECT TO FINAL DESIGN AND CALCULATION
4. DRAWING NOT BINDING IN DETAIL.

1	21/05/18	-	STL
ISS	DATE	MOD	DRN.
<b>NOT BINDING IN DETAIL</b>			

**KOCUREK**

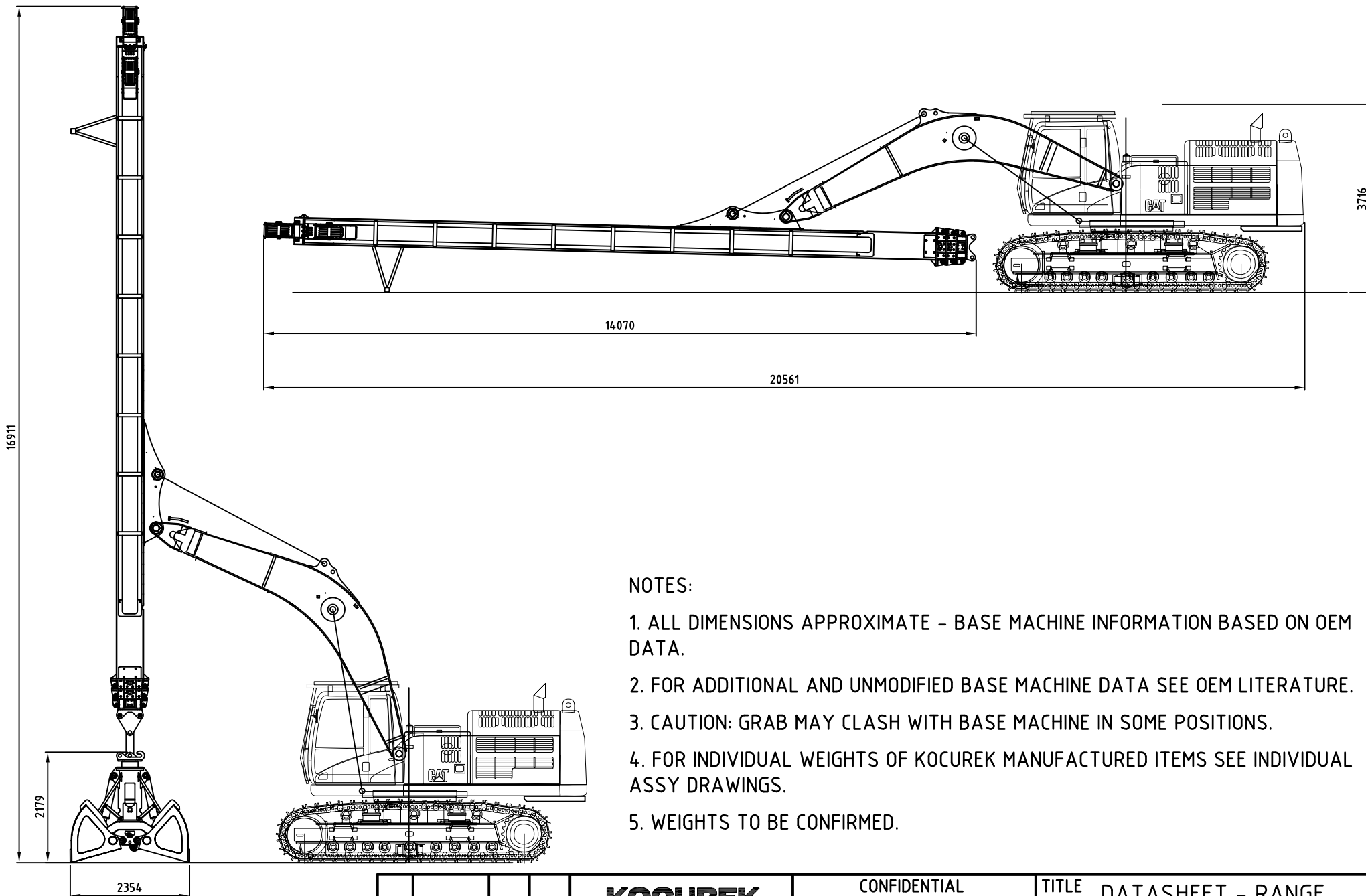
24 Arkwright Road  
Hadleigh Road Industrial Estate  
Ipswich IP2 0UB ENGLAND  
Tel. +44 (0)1473 217477

**CONFIDENTIAL**

This drawing embodies confidential information, the property of KOCUREK EXCAVATORS Ltd., to whom the copyright belongs. This drawing may not be copied or used for any purpose other than that for which it was made available except with the prior written consent of KOCUREK EXCAVATORS Ltd., & provision of this drawing does not grant any rights under any industrial property rights of KOCUREK EXCAVATORS Ltd., nor of any third party.

**TITLE** DATASHEET - RANGE  
37m TELEDIPPER  
CAT 349EL

**DRG. NO.** 99000941 **SHT** 2  
OF 3



NOTES:

1. ALL DIMENSIONS APPROXIMATE - BASE MACHINE INFORMATION BASED ON OEM DATA.
2. FOR ADDITIONAL AND UNMODIFIED BASE MACHINE DATA SEE OEM LITERATURE.
3. CAUTION: GRAB MAY CLASH WITH BASE MACHINE IN SOME POSITIONS.
4. FOR INDIVIDUAL WEIGHTS OF KOCUREK MANUFACTURED ITEMS SEE INDIVIDUAL ASSY DRAWINGS.
5. WEIGHTS TO BE CONFIRMED.

1	21/05/18	-	STL
ISS	DATE	MOD	DRN.
NOT BINDING IN DETAIL			



24 Arkwright Road  
Hadleigh Road Industrial Estate  
Ipswich IP2 0UB ENGLAND  
Tel. +44 (0)1473 217477

CONFIDENTIAL

This drawing embodies confidential information, the property of KOCUREK EXCAVATORS Ltd., to whom the copyright belongs. This drawing may not be copied or used for any purpose other than that for which it was made available except with the prior written consent of KOCUREK EXCAVATORS Ltd., & provision of this drawing does not grant any rights under any industrial property rights of KOCUREK EXCAVATORS Ltd., nor of any third party.

TITLE DATASHEET - RANGE  
37m TELEDIPPER  
CAT 349EL

DRG. NO. 99000941

SHT 3  
OF 3