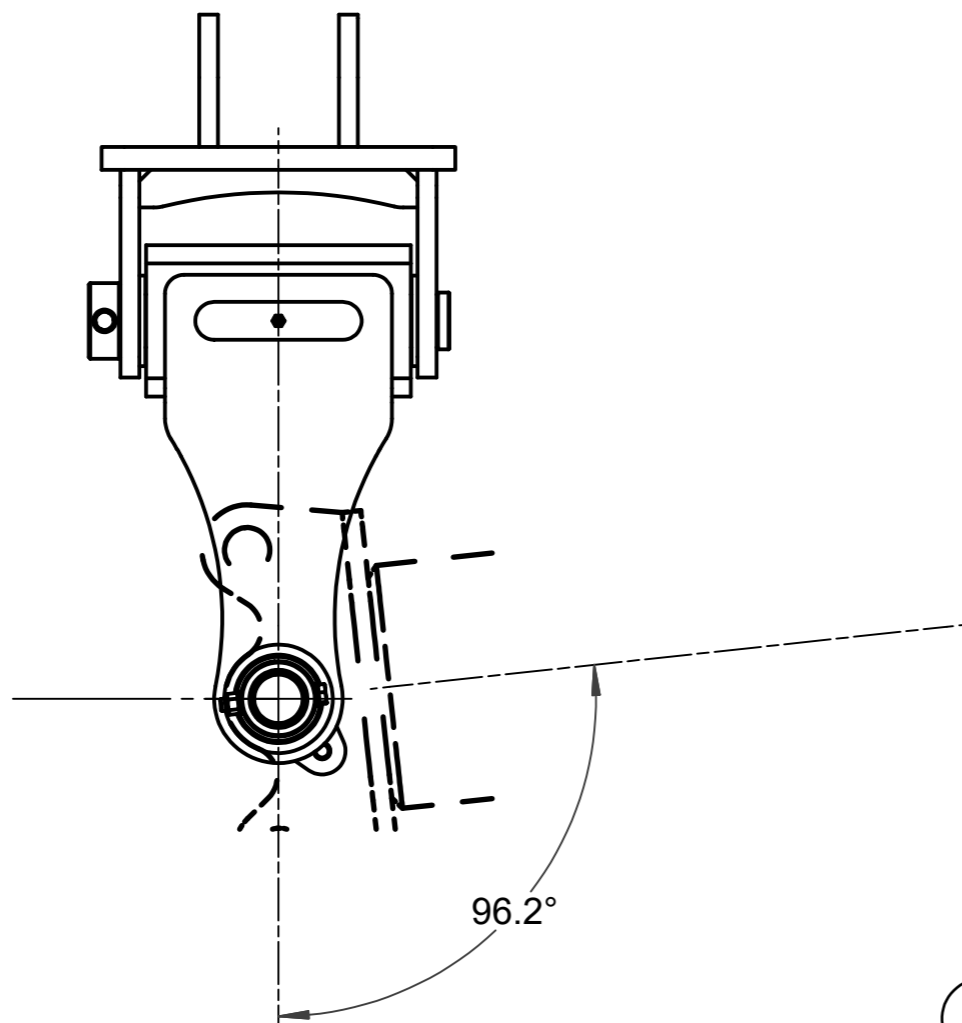
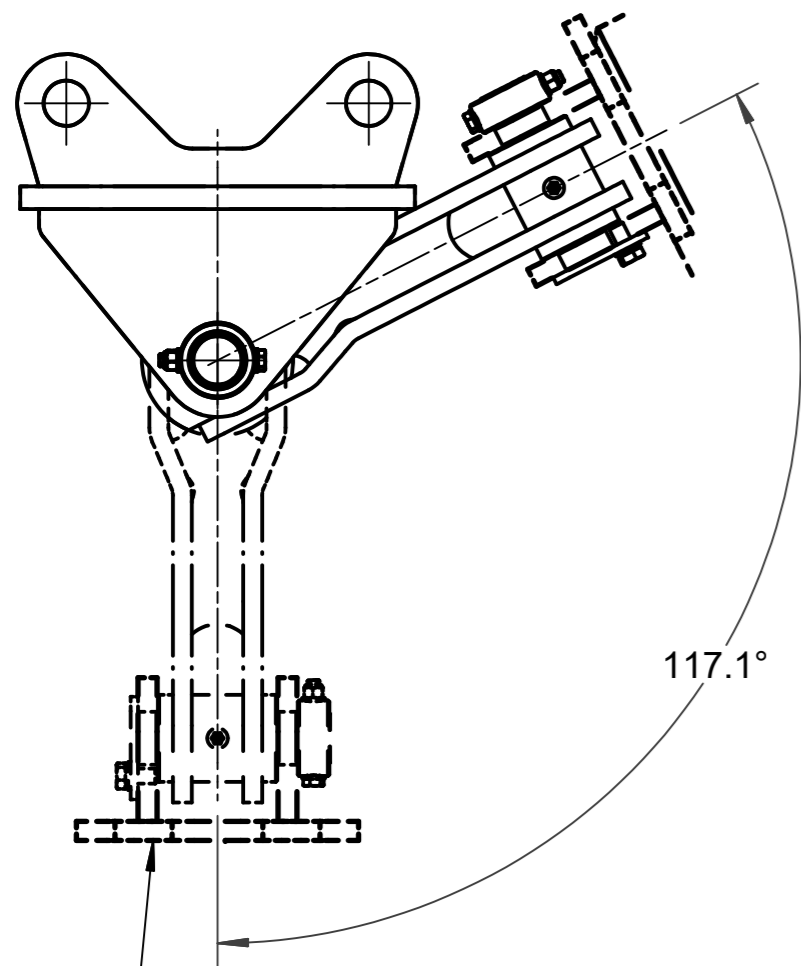
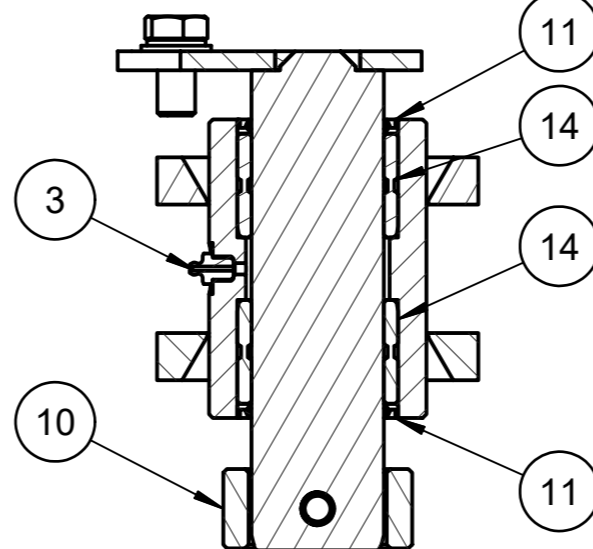


ROTATION REPRESENTATIONS ( 1 : 10 )

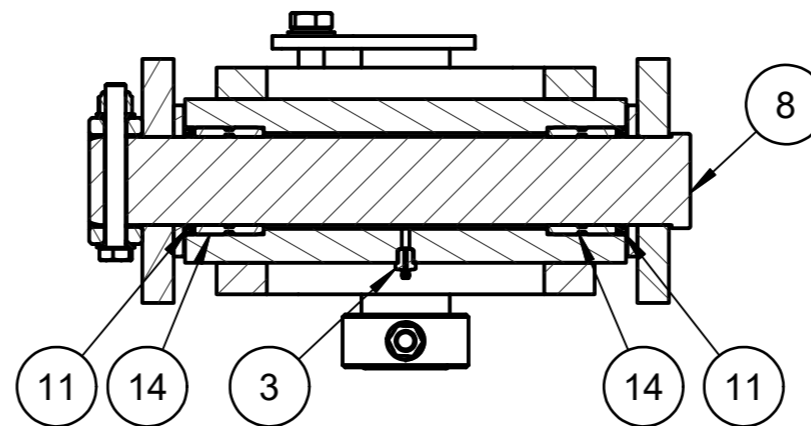


ATTACHMENT SHOWN FOR REPRESENTATION ONLY

SECTION A-A ( 1 : 4 )

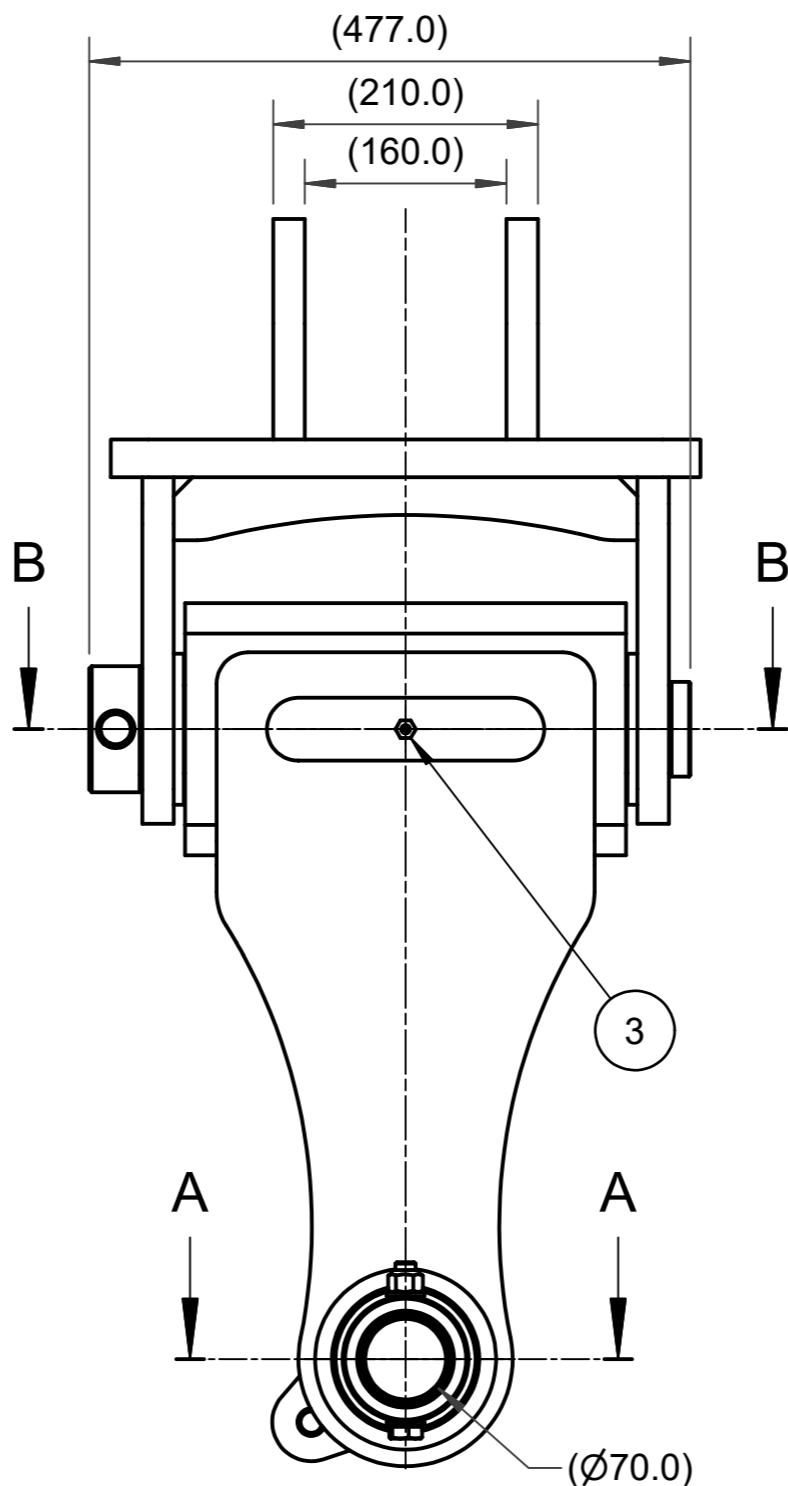
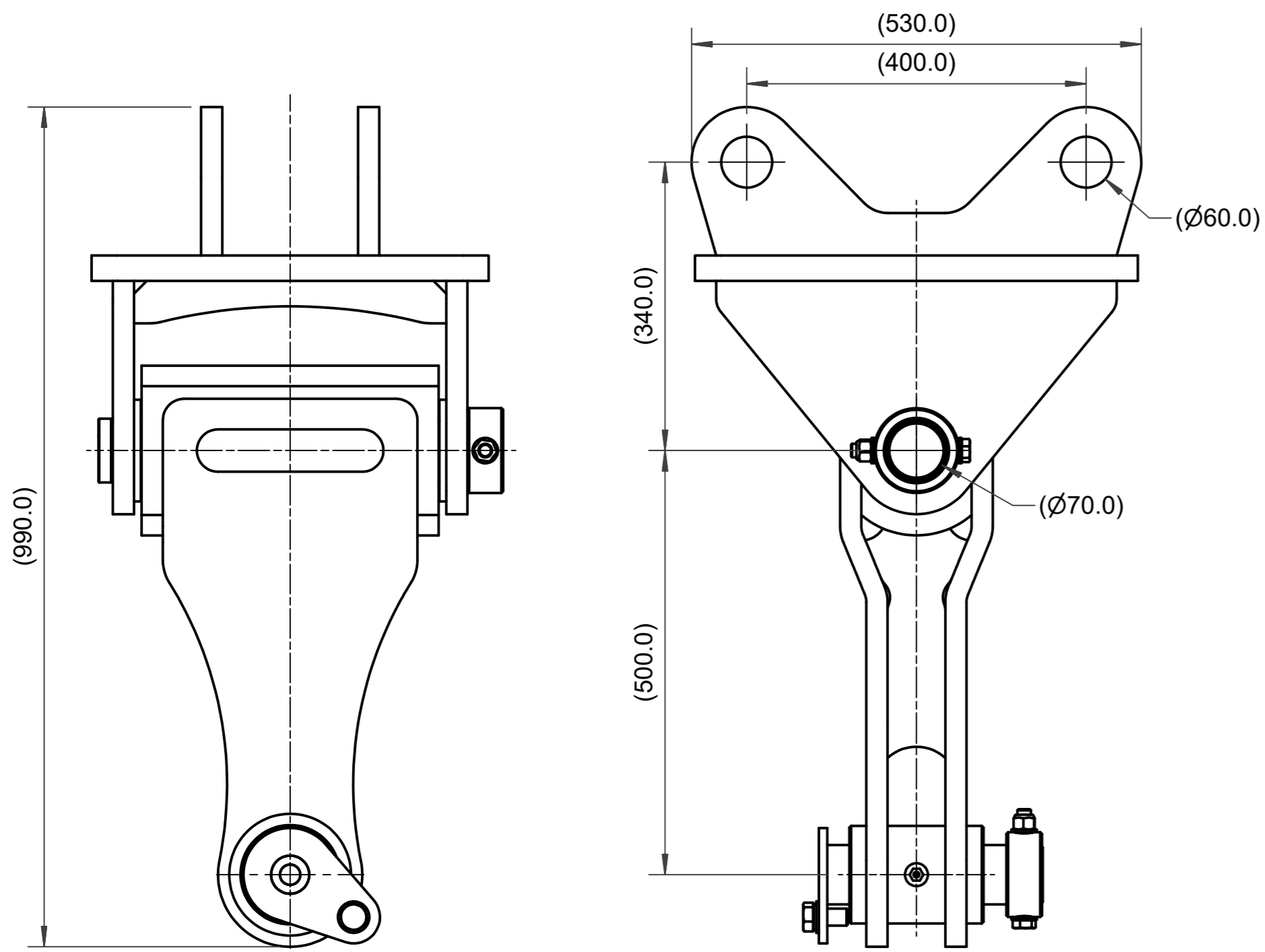
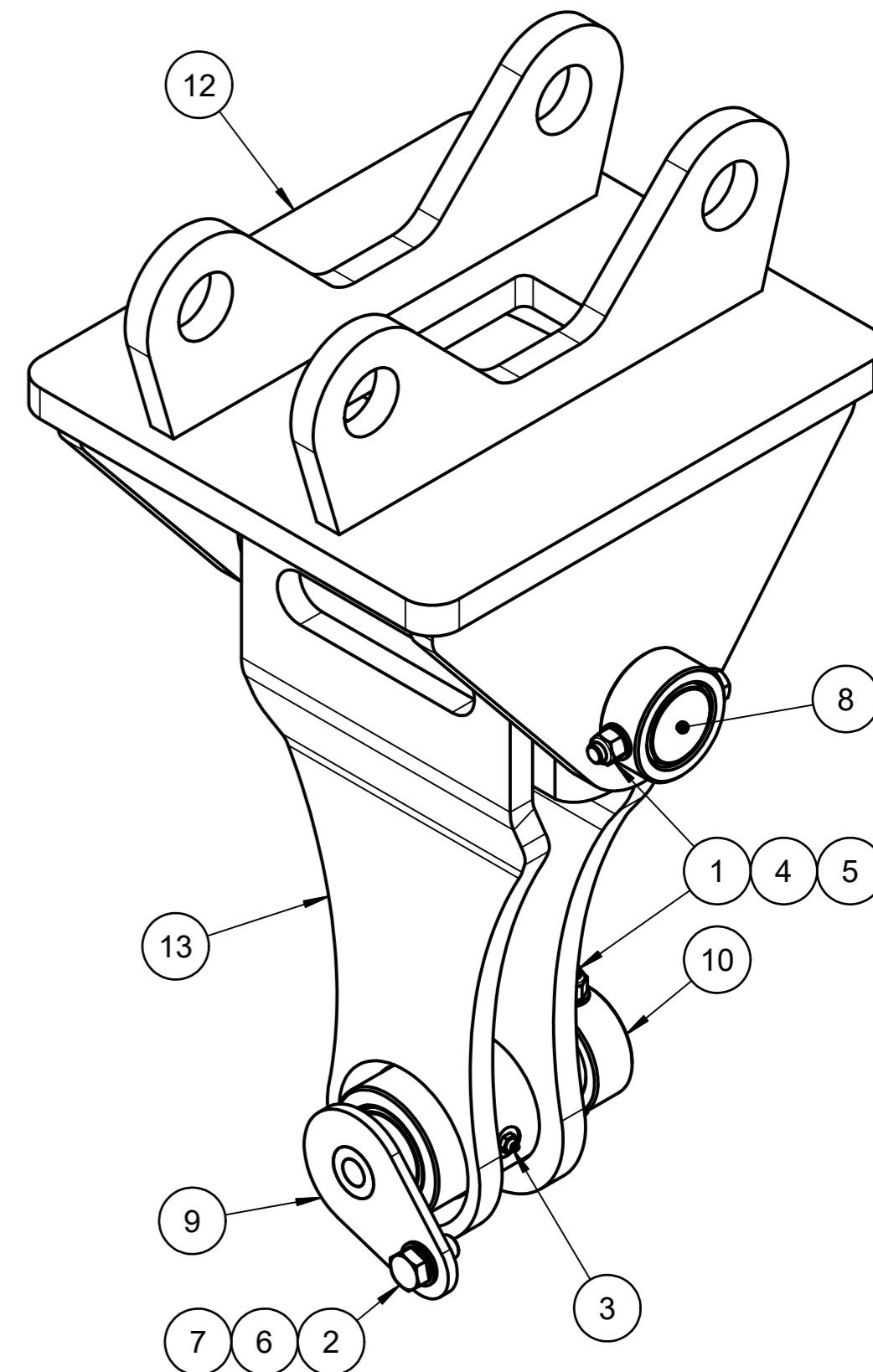


SECTION B-B ( 1 : 6 )



ITEM	PART No	DESCRIPTION	MASS	QTY
1	07051618	BOLT - M16 X 130 HEX HD	0.24 kg	2
2	07052005	BOLT - M20 X 40 HEX HD	0.17 kg	1
3	07120152	GREASE NIPPLE - 1/4" BSP	0.02 kg	2
4	07401614	M16 NYLOC	0.04 kg	2
5	07451620	WASHER - M16 PLAIN	0.01 kg	4
6	07452020	WASHER - M20 PLAIN TYPE A	0.02 kg	1
7	07452022	WASHER - M20 SPRING	0.01 kg	1
8	65020369	HEADED PIN	14.35 kg	1
9	65050421	TAGGED PIN W'MEN	8.63 kg	1
10	66010071	COLLAR - 70/71mm	1.13 kg	1
11	71990183	DUST SEAL	0.01 kg	4
12	85010953	TOP GIMBAL W'MENT	115.70 kg	1
13	85010954	BOTTOM GIMBAL W'MENT	110.40 kg	1
14	97010024	BUSH	0.81 kg	4

ISO VIEW ( 1 : 5 )



NOTES:

1. ALL PINS & SLIDING SURFACES GREASED ON ASSY.
2. SUITABLE FOR USE WITH KE ATTACHEMENT; 40010724 & TELEDIPPER ASSY; 85010963.
3. FIRST USED ON SM21905.
4. CALCULATED APPROXIMATE WEIGHT = 254.3 kg.

				CONFIDENTIAL This drawing embodies confidential information, the property of KOCUREK EXCAVATORS Ltd, to whom the copyright belongs. This drawing may not be copied or used for any purpose other than that for which it was made available except with the prior written consent of KOCUREK EXCAVATORS Ltd, & provision of this drawing does not grant any rights under any industrial property rights of KOCUREK EXCAVATORS Ltd, nor of any third party.		DIMENSIONS WITHOUT TOLERANCE X.X ± 2.0 X.XX ± 0.5 X.XXX ± 0.2 ANGLES ± 1°		ALL DIMS IN mm UNLESS STATED OTHERWISE		SCALE NTS IF IN DOUBT ASK DO NOT SCALE		DRAWN JRC DATE 26/01/18 MATERIAL		DRG. NO. <b>85010952</b> SHT 1 OF 1	
2	19/04/18	4502	JRC	24 Arkwright Road Hadleigh Road Ind. Estate Ipswich IP2 0UB Tel. +44 (0)1473 217477											
1	26/01/18		JRC												
ISS	DATE	MOD	DRN												