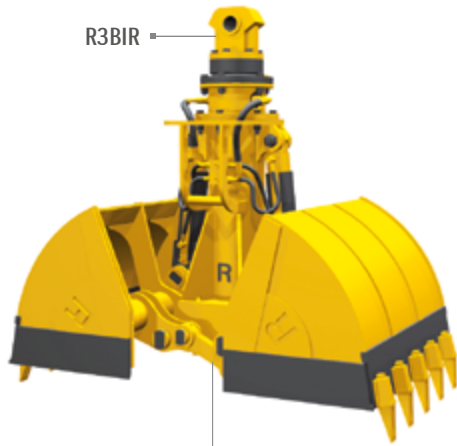
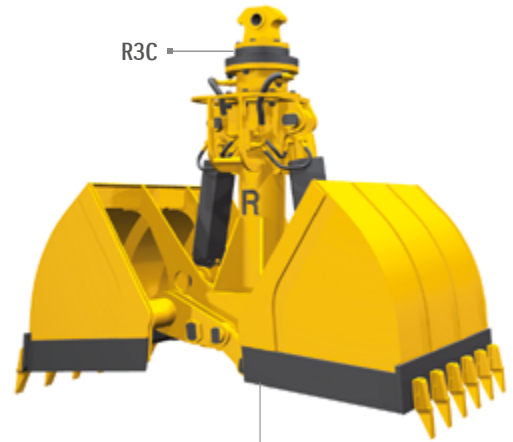


'R' Series Clamshell Buckets

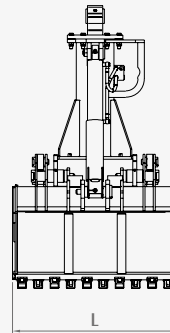
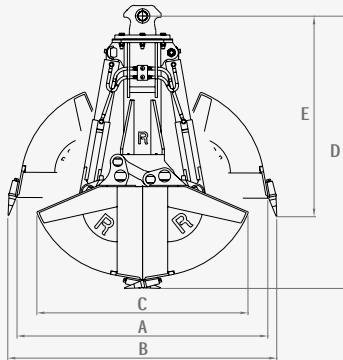
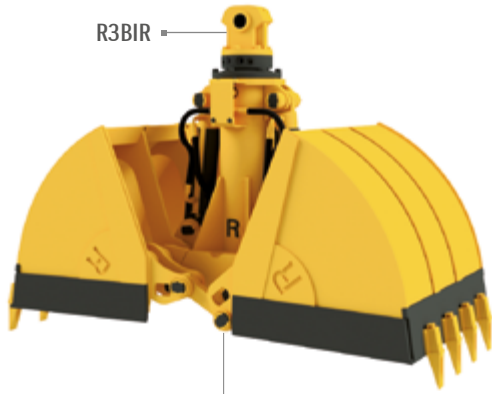
> R34



> R35



> R34G



Model	Capacity	Weight	Pressure	Oil flow	Tine force	Sizes					
	litre	kg	bar	l/min	Kg	A	B	C	D	E	L
R34/800	700	1200	300	160	8000	2000	2140	1680	2130	1570	800
R34/1000	880	1320	300	160	8000	2000	2140	1680	2130	1570	1000
R34/1300	1150	1440	300	160	8000	2000	2140	1680	2130	1570	1300
R34/1500	1325	1550	300	160	8000	2000	2140	1680	2130	1570	1500
R35/1350	1850	2550	300	260	11260	2570	2750	2310	2820	2060	1350
R35/1500	2150	2600	300	260	11260	2570	2750	2310	2820	2060	1500
R35/1700	2450	2650	300	260	11260	2570	2750	2310	2820	2060	1700